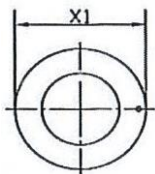
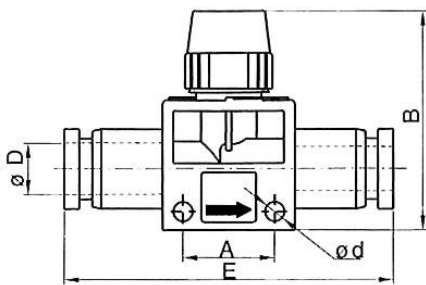
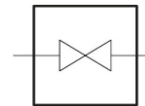


Push-in fittings series manufactured in plastic and nickel-plated brass.
All parts are suitable for use with hoses, tubes or pipes made of plastic and copper.

Working pressure:	1.5 - 10 bar
Max. working pressure short term:	15 bar*
Temperature range:	-20 °C to 80 °C
Material:	Plastic and nickel-plated brass
Sleeve:	Plastic
Sealing surface:	Parallel version: O-ring in housing Conical version: PTFE thread coating
Medium:	Compressed air, neutral and safe gases and liquids*
Recommended hose:	PU or PA (nylon)

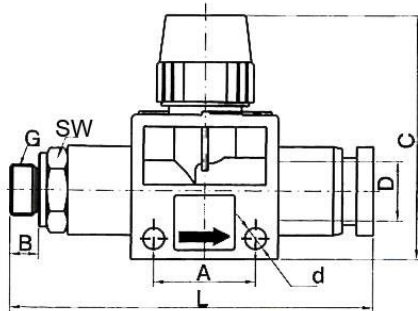


190.006

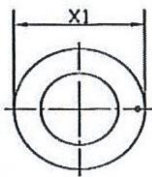
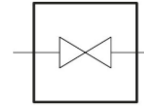


Shut-off valve with plug connection

Art. No.	Type No.	Ø D	Ø d	A	B	E	X1
110097	190.006	6	4.2	16.5	42.2	50.8	11.8
110098	190.008	8	4.2	16.5	42.3	51.8	13.7
110099	190.010	10	4.2	21.5	46.7	63.3	16.8
110100	190.012	12	4.2	21.5	46.8	64.1	20.0

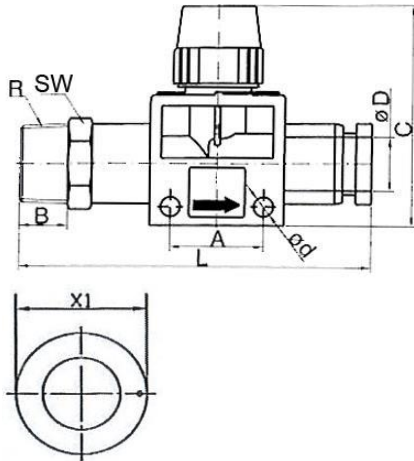


193.014-6

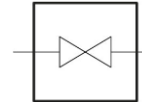


Shut-off valve with male thread and plug connection, flow direction from port to tube, parallel male thread with O-ring (NBR)

Art. No.	Type No.	L	A	B	C	Ø D	Ø d	Thread	a/f	X1	E
110075	193.018-6	58.0	16.5	5.5	42.6	6	4.2	G 1/8	14	12.0	18.2
110076	193.018-8	58.4	16.5	5.5	42.6	8	4.2	G 1/8	14	14.0	18.7
110077	193.014-6	59.8	16.5	6.5	42.6	6	4.2	G 1/4	14	12.0	18.2
110078	193.014-8	59.9	16.5	6.5	42.6	8	4.2	G 1/4	17	14.0	18.7
110079	193.014-10	70.9	21.5	6.5	47.0	10	4.2	G 1/4	17	17.0	21.2
110080	193.014-12	70.9	21.5	6.5	47.0	12	4.2	G 1/4	21	20.0	22.6
110081	193.038-8	61.4	16.5	7.5	42.6	8	4.2	G 3/8	17	14.0	18.7
110082	193.038-10	72.4	21.5	7.5	47.0	10	4.2	G 3/8	20	17.0	21.2
110083	193.038-12	71.9	21.5	7.5	47.0	12	4.2	G 3/8	21	20.0	22.6
110084	193.012-10	75.9	21.5	9.5	47.0	10	4.2	G 1/2	24	17.0	21.2
110085	193.012-12	75.4	21.5	9.5	47.0	12	4.2	G 1/2	24	20.0	22.6

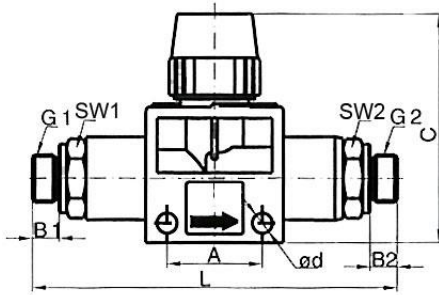


192.014-6

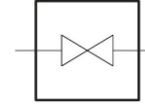


Shut-off valve with male thread and plug connection, flow direction from port to tube, conical male thread, coated

Art. No.	Type No.	L	A	B	C	Ø D	Ø d	Thread	a/f	X1	E
110086	192.018-6	58.0	16.5	7.5	42.6	6	4.2	R 1/8	12	12.0	18.2
110087	192.018-8	58.9	16.5	7.5	42.6	8	4.2	R 1/8	14	14.0	18.7
110088	192.014-6	60.5	16.5	9.5	42.6	6	4.2	R 1/4	12	12.0	18.2
110089	192.014-8	60.9	16.5	9.5	42.6	8	4.2	R 1/4	14	14.0	18.7
110090	192.014-10	72.4	21.5	9.5	47.0	10	4.2	R 1/4	17	17.0	21.2
110091	192.014-12	73.3	21.5	9.5	47.0	12	4.2	R 1/4	21	20.0	22.6
110092	192.038-8	62.4	16.5	10.5	42.6	8	4.2	R 3/8	17	14.0	18.7
110093	192.038-10	73.4	21.5	10.5	47.0	10	4.2	R 3/8	17	17.0	21.2
110094	192.038-12	74.3	21.5	10.5	47.0	12	4.2	R 3/8	21	20.0	22.6
110095	192.012-10	76.9	21.5	13.5	47.0	10	4.2	R 1/2	21	17.0	21.2
110096	192.012-12	77.3	21.5	13.5	47.0	12	4.2	R 1/2	21	20.0	22.6

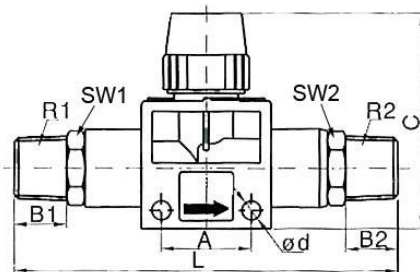


194.1414

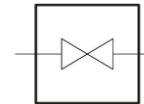


Shut-off valve, double parallel thread with O-ring (NBR)

Art. No.	Type No.	L	A	B1	B2	C	Ø d	G1	G2	a/f	a/f
										1	2
110061	194.1818	64.5	16.5	5.5	5.5	42.6	4.2	G 1/8	G 1/8	14	14
110062	194.1418	67.6	16.5	5.2	6.5	42.6	4.2	G 1/4	G 1/8	17	14
110063	194.1414	67.6	16.5	6.5	6.5	42.6	4.2	G 1/4	G 1/4	17	17
110064	194.3814	81.1	21.5	6.5	7.5	47.0	4.2	G 3/8	G 1/4	20	20
110065	194.3838	82.4	21.5	7.5	7.5	47.0	4.2	G 3/8	G 3/8	20	20
110066	194.1238	86.2	21.5	7.0	9.5	47.0	4.2	G 1/2	G 3/8	24	21
110067	194.1212	89.0	21.5	11.0	11.0	47.0	4.2	G 1/2	G 1/2	24	24



191.1414



Shut-off valve, double conical thread, coated

Art. No.	Type No.	L	A	B1	B2	C	Ø d	R1	R2	a/f	a/f
										1	2
110068	191.1818	65.0	16.5	7.5	7.5	42.6	4.2	R 1/8	R 1/8	12	12
110069	191.1418	67.5	16.5	9.5	7.5	42.6	4.2	R 1/4	R 1/8	14	12
110070	191.1414	70.0	16.5	9.5	9.5	42.6	4.2	R 1/4	R 1/4	14	14
110071	191.3814	82.0	21.5	10.5	9.5	47.0	4.2	R 3/8	R 1/4	17	14
110072	191.3838	83.5	21.5	10.5	10.5	47.0	4.2	R 3/8	R 3/8	17	17
110073	191.1238	87.0	21.5	13.5	10.5	47.0	4.2	R 1/2	R 3/8	21	17
110074	191.1212	90.5	21.5	13.5	13.5	47.0	4.2	R 1/2	R 1/2	21	21

*The suitability test for the individual application is the user's responsibility.